

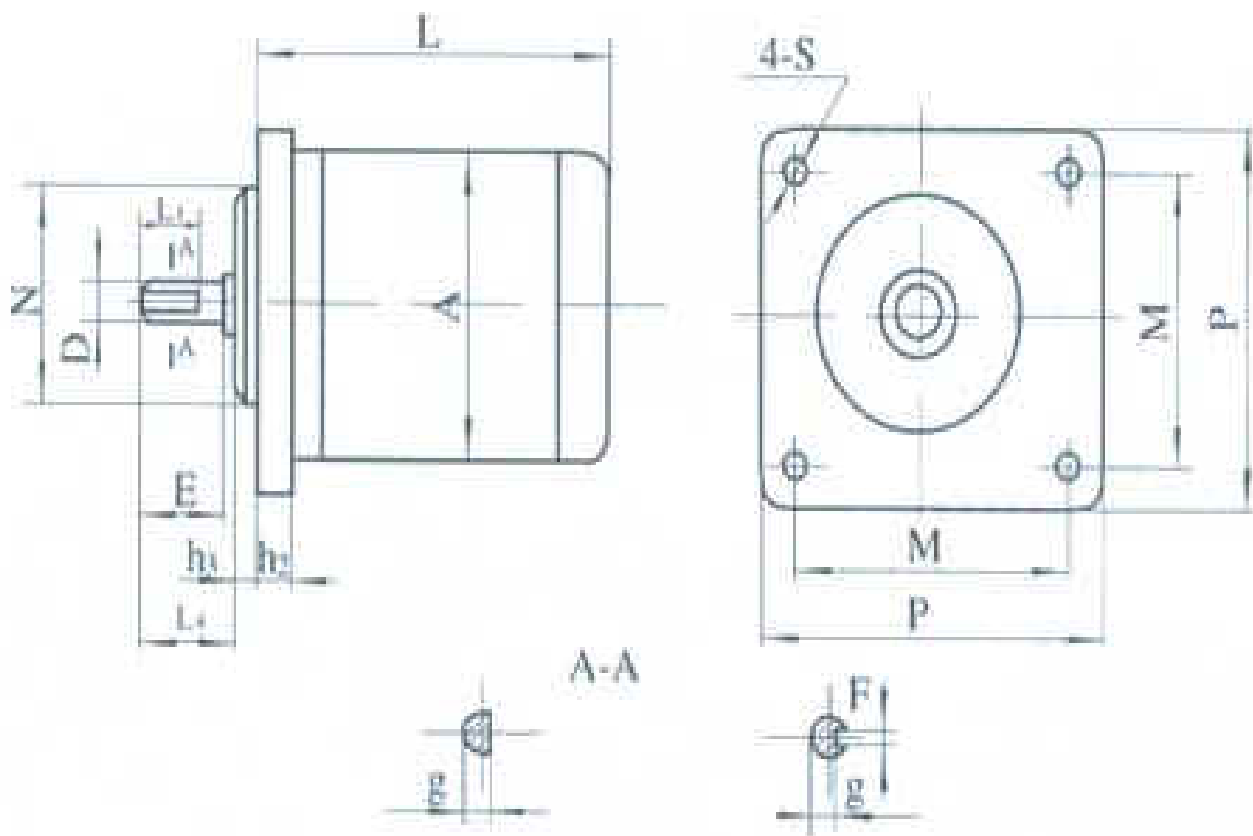
TDY series permanent magnet low speed synchronous motor

TDY Series motor is a new type non-reduction gear unit low speed (60 rev / min) synchronous motor. This product simplifies application transmission mechanism, eliminating noise reduction gear mechanism.

TDY Series motor is a closed structure. Its characteristics: high reliability, long life, low vibration operation, low noise, speed and stability, starting torque, starting current when no shock when the load current changes little change, with some self-locking capability; capable of instantly start, rewind and stop and so on.

TDY Series motor can be used as the driving speed in the drive system components. For those who require low-speed direct drive of the occasion, can use this product, if accompanied by power inverter, the motor speed can be transformed to suit a variety of needs.

Overall and installation dimensions

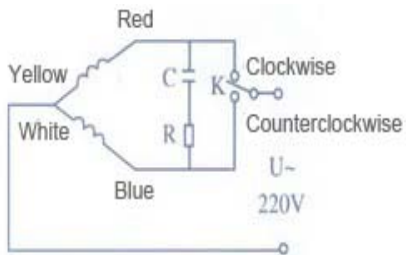


Mode No#	Size	A	N	D	E	L ⁴	h ²	h ³	P	M	S	L	g	L ¹	F						
	Deviation	h12	h7	f7				h13				Js18	h11		N9						
55TDY	55	42	6	16	18	6	3	58	48	4.5	65	5	12								
70TDY	70	54	8	20	22	8										74	60	5.5	85	7	14
70TDY060-7																					
90TDY	90	70	9	22	24	10	4	94	76	6.6	102	8	16								
90TDY060-3																110					
90TDY060-3B																120					
90TDY060-7																137					
90TDY115-7																147					
110TDY	110	85	11	26	28	15	5	134	110	9	140	13	20	5							
110TDY115-2																150					
110TDY115-2B																					
130TDY	130	100	16	30	32	16	5	156	125	9	150	13	20	5							
130TSY060-2																					
130TDY060-2B																					
150TDY	150	100	16	38	40	16	5	156	125	9	150	13	20	5							

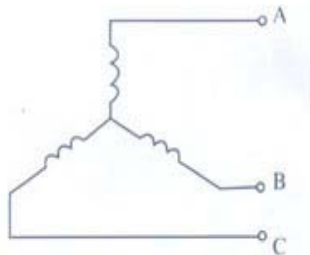
Note: All other model no# can reference the above specification.

Wiring diagram

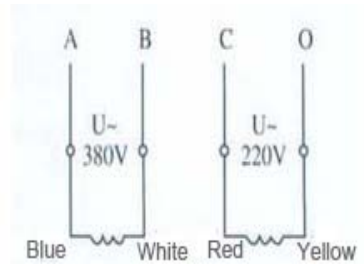
Single-phase power supply wiring



Single-phase wiring



Three Phase Four-Wire Connection



Specification datasheet																			
Serial No#	Model No#	Voltage (V)	Frequency (Hz)	Phase	Speed (r/min)	Max Input Current (A)	Power (W)	Max Synchronizing Torque			Nominal Torque	Starting Torque	Load Torque	Rotary Inertia	Phase Shifting Capacitor (μF/V)	Phase Shifting Resistance (Ω/W)	Weight (KG)	Diagram	Note
								mN.m	g.Cm ²										
55	55TDY4	220	50	1	60	0.075	16	360	330	200	600	100	0.47/400	1K/8	0.7	0.7	(a)	-	
	55TDY060-3	220/380		three phase four-wire		0.075 0.05		440	350	220							(b)		
	55TDY115-1	220		1	115	0.075	300	240	180	(a)									
	55TDY115-3	220/380		three phase		0.075 0.05	330	280	190	(b)									
	55TDY300-1	220		1		300	0.09	180	150	100	0.47/400	1K/8	1.6	(a)					
70TDY4	220	60	three phase four-wire	0.12	24	950	800	480	1500	700	0.8/400	1.5K/16		(a)	Low vibration				
70TDY4-A	220					800	600	400			0.68/400	2K/16	(b)	-					
70TDY060-3	220/380		0.12 0.07	1100	1000	600	-	-	-	-	-	-	(b)	-					
70	70TDY060-7	220	1	60	0.22	45	1300	1100	700	2100	1000	1.4/400	680/20	2.3	2.3	(a)	High		
	70TDY115-1	220					720	600	360			0.8/400	1.5K/16			(a)	-		
	70TDY115-1A	220	115	three phase	0.15	28	600	500	300	1500	700	0.68/400	2K/16	1.6	1.6	(a)	Low vibration		
	70TDY115-3	220/380					0.15 0.09	1050	850			600	-			-	(b)	-	
	90TDY4	220					1	60	0.38			70	2400			2000	1400	9000	2400
	90TDY4-A	220	3	60	0.3	60	2200	1800	1200	2.2/400	820/50	(c)	Three Phase						
	90TDY060-3	380	3	60	0.22	70	3200	3000	2000	9000	2400	-	-	3.2	3.2	(b)	-		
90TDY060-3B	220	0.38					2800	2300	1500			-	-			(b)	-		
90TDY060-5	220/380	three phase four-wire	0.38 0.22	90	3500	3300	1700	12200	3250	4.0/400	450/50	4.3	4.3	(a)	High				
90TDY060-7	220	1	100	0.4	75	2200	1900	1000	9000	2400	2.7/400	680/50	3.2	3.2	(a)	-			
90TDY100-1	220	three phase four-wire				0.4 0.23	2600	2200			1400	-			-	(b)	-		
90TDY100-3	220/380	1	115	0.44	88	2200	1800	1000	9000	2400	3.0/400	560/50	3.2	3.2	(a)	-			
90TDY115-1	220	three phase four-wire				0.44 0.26	2500	2100			1300	-			-	(b)	-		
90TDY115-3	220/380	1	136	0.6	100	2800	2500	1500	12200	3250	4.0/400	450/50	4.3	4.3	(a)	High			
90TDY115-7	220	0.6 0.44				1800	1400	1000			2.7/400	680/50			(a)	-			
90TDY136-1	220/380	three phase four-wire	0.44 0.26	88	2300	2000	1200	9000	2400	-	-	3.2	3.2	(b)	-				
90TDY300-1	220	1	300	0.65	120	1300	1100			300	5.0/400			450/100	(a)	-			
90TDY-4-3	380	60	0.2	55	4000	3400	3400	12000	2400	-	-	-	-	(a)	-				
110	110TDY4	220	1	60	0.56	110	4500	3600	2300	20000	5100	4.0/400	450/100	6	6	(a)	-		
	110TDY060-3	220/380	three phase four-wire				0.56 0.32	5600	4500			3000	-			-	(b)	-	
	110TDY115-1	220	1	115	0.56	130	3500	3000	1500	20000	5100	4.0/400	510/100	7	7	(a)	Three Phase		
	110TDY115-2	380	3				0.45	5000	4500			2200	-			-	(c)	Three Phase	
	110TDY115-2B	220	0.75				4200	3600	1800			-	-			(b)	-		
	110TDY115-3	220/380	three phase	0.56 0.32	110	4200	3600	1800	20000	5100	4.0/400	510/100	6	6	(b)	-			
	110TDY136-1	220	1	136	0.56	2900	2500	1400			4.0/400	510/100			(a)	-			
	130TDY4	220	1	60	0.8	150	7500	6000	3800	30000	13000	6.0/400	360/100	9	9	(a)	Three Phase		
130TDY060-2	380	three phase four-wire	0.56				10000	9000	6000			-	-			(c)	Three Phase		
130TDY060-2B	220	3	60	0.95	150	9000	7500	4500	30000	13000	-	-	9	9	(b)	-			
130TDY060-3	220/380	three phase				0.8 0.46	4500	3600			1700	5.0/400			450/100	(a)	-		
130TDY115-1	220	1	115	0.8	150	5500	4700	2600	30000	13000	-	-	9	9	(a)	-			
130TDY115-3	220/380	three phase four-wire				0.8 0.46	5500	4700			2600	-			-	(b)	-		
150	150TDY4	220	1	60	1	180	9500	7600	4500	50000	23000	6.0/400	280/150	12.5	12.5	(a)	Low vibration		
	150TDY4-A	220	7500				6000	4000	4.0/400			560/150	(b)			-			
	150TDY060-3	220/380	three phase four-wire	1.0 0.58	12000	10000	6000	-	-	(b)	-								